



AVK ECCENTRIC PLUG VALVE, EN-STD., PN16

764/01-004

Flanged, EPDM rubber for drinking water, PTFE thrust washer, DN 80-300

AVK eccentric plug valves are designed with built-in safety in every detail. Plug valves are adapted for pump control shut-off and throttling service. The plug is fully vulcanized with AVK's own EPDM rubber compound which due to its sturdy design and double bonding vulcanization features an outstanding durability with the plug's rubber's ability to regain its original shape. The valve has a welded nickel seat with a full port design allowing high flow capability. Valve body is epoxy coated internally and externally, and design incorporates a unique integral ISO flange. The valves are suitable for bi-directional application.

Product description:

Flanged, eccentric plug valve for drinking water to maximum 70°C

Standards:

- Designed according to AWWA C517
- Face to face according to EN 558 Table 2 Basic Series 3
- Standard flange drilling to EN1092-2 (ISO 7005-2), PN 16
- WIMES 8.09 compliant

Test/Approvals:

- Hydraulic test according to EN 1074-1 and 5/ EN12266, seat: 1.1 x PN (in bar), body 1.5 x PN (in bar)
- WRAS approved materials
- Drinking Water Inspectorate Regulation 31 compliant

Features:

- Seat in 95% nickel, welded on the cast body for corrosion protection and extended life time
- Round rubber bonnet gasket fits into a groove in the valve bonnet preventing it from being blown out by pressure surges
- Bonnet gasket and plug rubber multi approval: UBA, W270, WRAS, ACS, A54020, NSF, EN681-1, hydrocheck, Ö NORM B5014, GB/T 5750.7
- Bonnet bolts in mild steel 8.8, encircled by the bonnet gasket and sealed with holt melt
- Fusion bonded epoxy coating to DIN 30677-2 and AVK guidelines, RAL5017, GSK approved
- Stem seal packing (V-type), easily adjustable during use, WRAS approved, O-rings WRAS approved
- Self-lubricating, stainless steel backed, PTFE coated, bronze bearing along with upper and lower bronze washers ensures consistently low operating torque
- Actuator mounting flange to ISO 5211
- Rectangular port opening, full port area
- Flange feet on large sizes for easy transport and safety
- Seals from both directions up to 16 bar
- Plugs with integrated stems
- Plug stem extensions with zinc plating for corrosion protection

NOTE: Please refer to sizing data on the AVK website.

Accessories:

Hand lever (DN80mm only), gearbox, electric actuator, direct nut operator



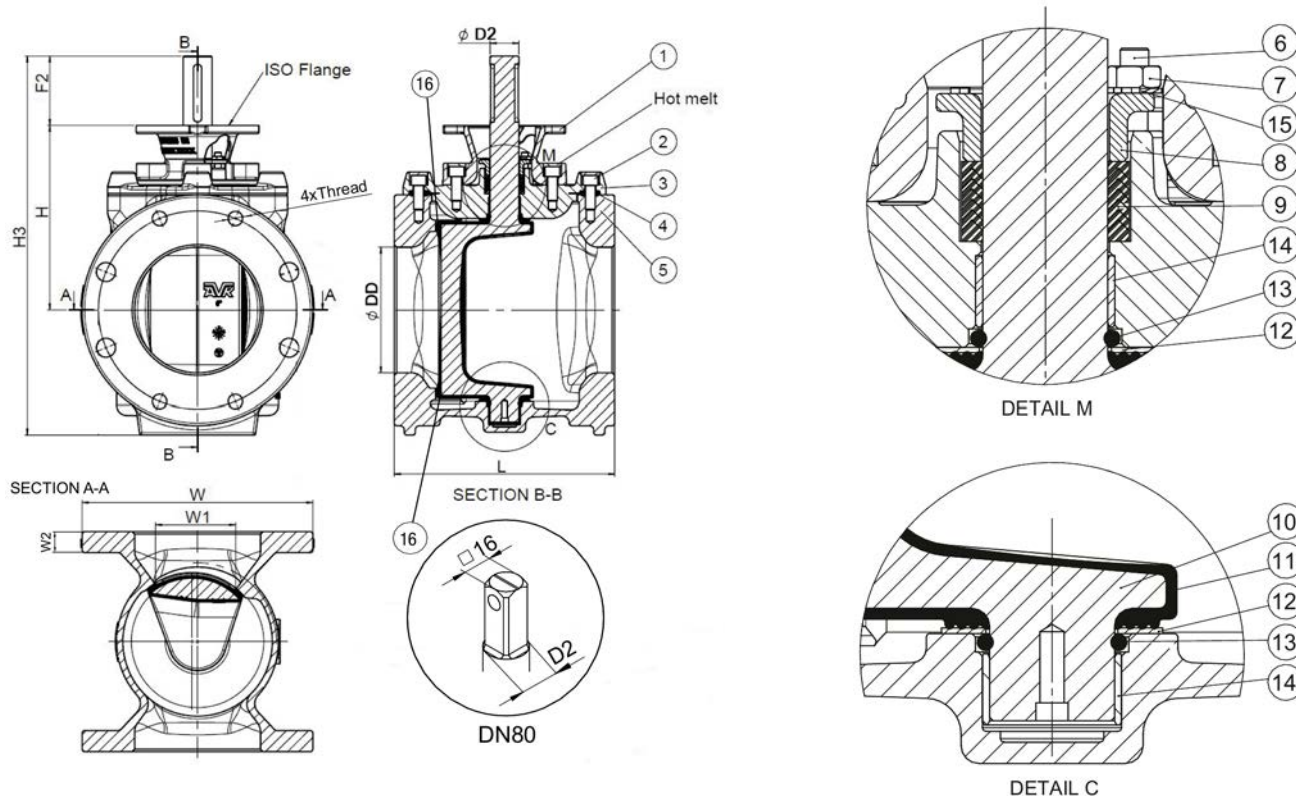
Expect ... **AVR**

The designs, materials and specifications shown are subject to change without notice due to the continuous development of our product range.

AVK ECCENTRIC PLUG VALVE, EN-STD., PN16

764/01-004

Flanged, EPDM rubber for drinking water, PTFE thrust washer, DN 80-300



Component list:

1. ISO flange	Ductile iron GJS-450-10	9. V-pack	EPDM rubber
2. Bolts	Steel gr. 8.8, zinc plated	10. Plug core	Ductile iron GJS-450-10
3. Bonnet	Ductile iron GJS-450-10	11. Plug rubber	EPDM rubber
4. Bonnet gasket	EPDM rubber	12. Thrust washer	PTFE
5. Body	Ductile iron GJS-450-10	13. O-ring	EPDM rubber
6. Thread rod	Stainless steel A4-70	14. Bearing	Bronze / PTFE composite
7. Hex nut	Stainless steel A4-70	15. Washer	Stainless steel A4-70
8. Gland	Ductile iron GJS-450-10	16. Seat	Nickel plated ductile iron

Components may be substituted with equivalent or higher class materials without prior notification.

Reference nos. and dimensions:

AVK ref. no.	DN	Dd	L	W	W1	W2	H	H3	F2	D2	No. of keys	Theoretical weight / kg	ISO Flange	Thread	Key
764-080-01-1B36901000	80	80	203	200	56.3	19	170	304	34	-	-	21	F07	M16	-
764-100-01-1B36901000	100	101.6	229	230	68.6	24	190	367	39	28	2	29	F10	M16	45X8X7
764-150-01-1B36901000	150	152.4	267	285	96	25	224	451	40	35	2	45	F10/12	M20	60X10X8
764-200-01-1B36901000	200	203.2	292	345	107	28.5	309	628	54	45	2	76	F14	M20	80X14X9
764-250-01-1B36901000	200	254	330	405	135	30	367	744	59	55	2	115	F14/16	M24	90X16X10
764-300-01-1B36901000	300	304.8	356	485	152	32	419	854	64.7	60	2	167	F14/16	M24	90X18X11

Comments:

Please refer to sizing data on the AVK website.